



The all new CLA
A class of its own









The Interior.







301A ARTICO man-made leather/Sortland fabric - black



101A ARTICO man-made leather - black



681A ARTICO man-made leather /MICROCUT microfibre-black/clean white pearl



105A ARTICO man-made leather - ivory beige/black



651A ARTICO man-made leather/MICROCUT microfibre-black



105A ARTICO nappa-look man leather/ MICROCUT microfibre - black/power red

Paints

The CLA

Paints



night black non-metallic



aqua mint non-metallic



sapphire blue metallic



MANUFAKTUR alpine grey solid



polar white non-metallic



cosmos black metallic



high-tech silver metallic



MANUFAKTUR patagonia red metallic

Technical Data

Engine and Transmission

The CLA

No. of cylinder / arrangement	in-line/4/16
Total displacement (cc)	1,499
Rated output (kW[hp] at rpm)	136 [100] / 5500
Rated torque (Nm at rpm)	200/1500 - 4000
Compression ratio	12.0:1
Transmission	8G-eDCT 8-Speed automatic

Performance

Acceleration 0 - 100 km/h (s)	8.8
Top speed approx. (km/h)	217
Fuel consumption, combined (l/100km)	5.3-5.0
Fuel	Petrol
Emission Standard	Euro 6 EB

Dimension and Weight

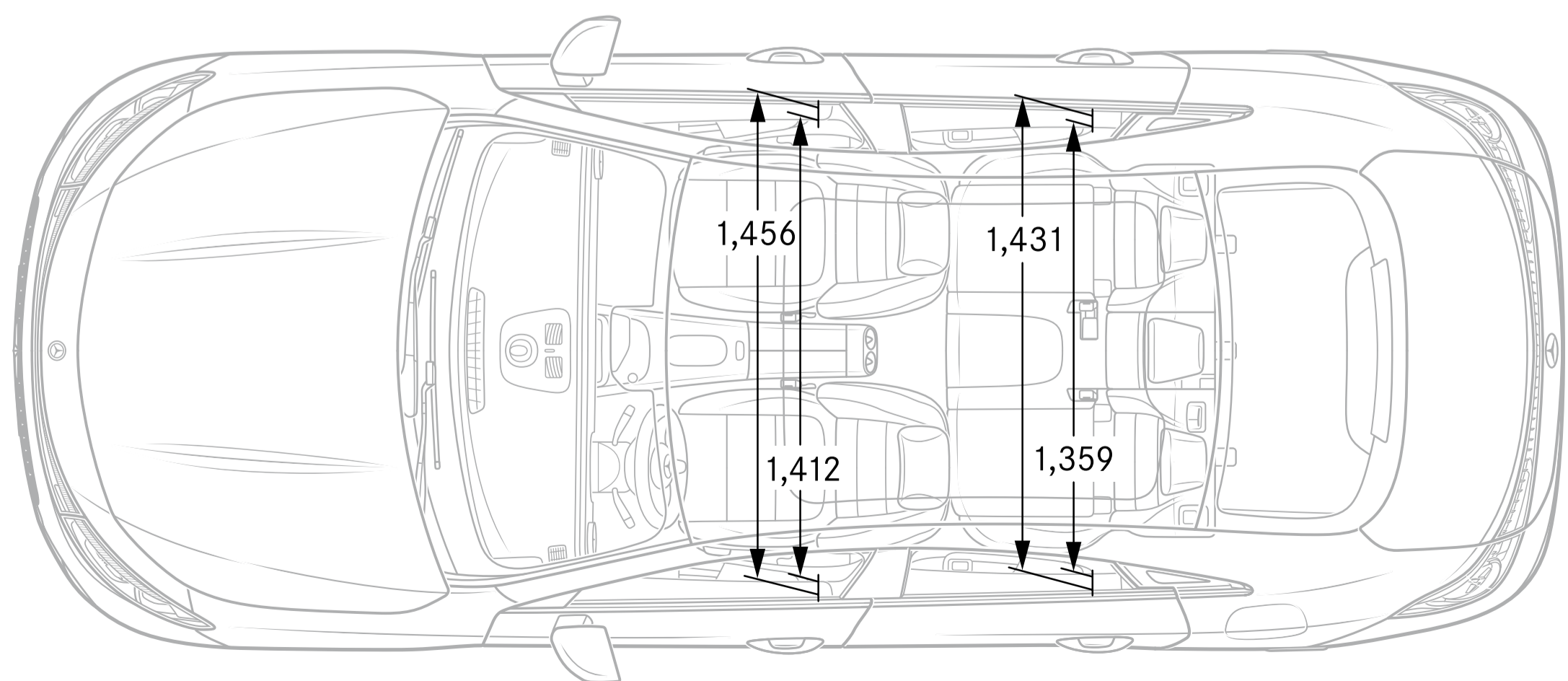
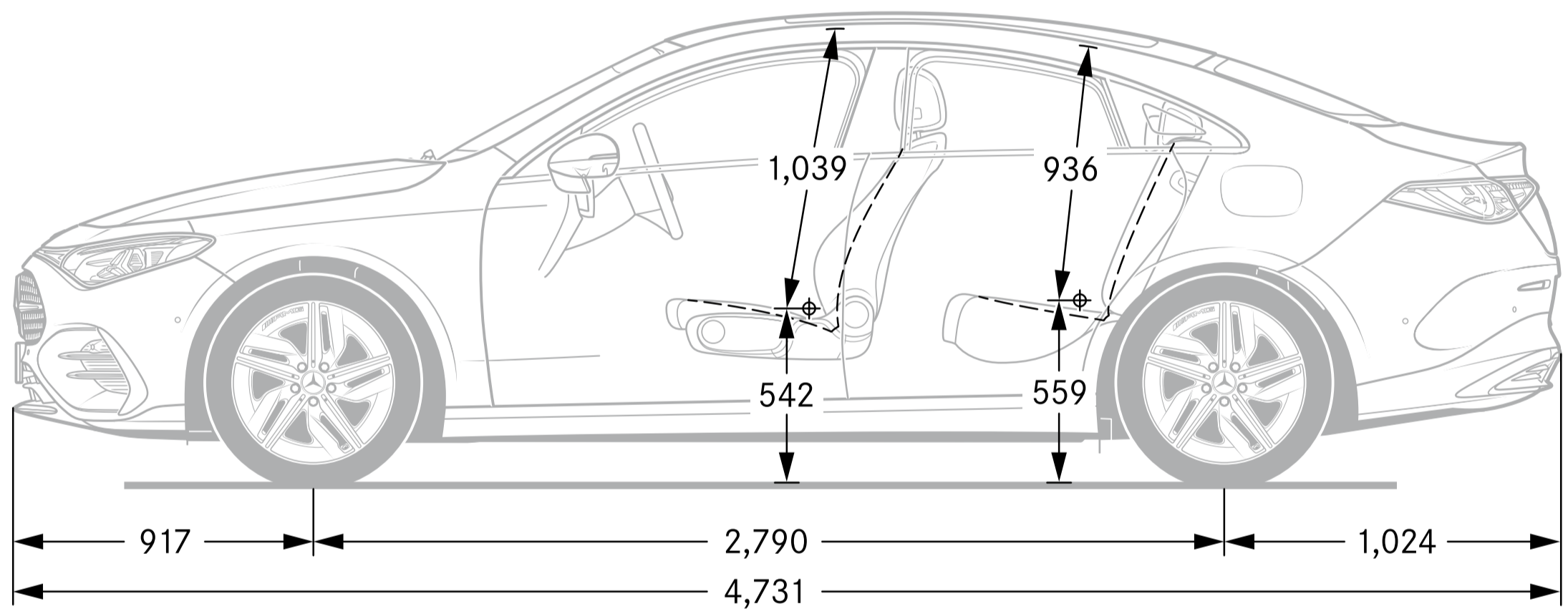
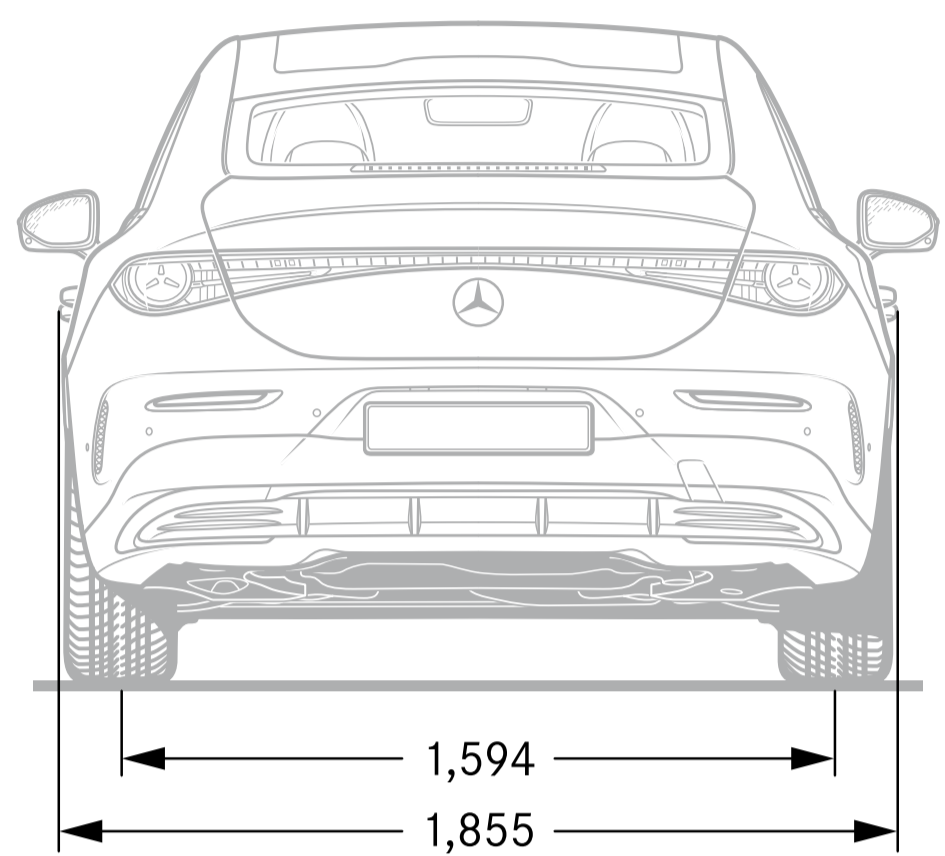
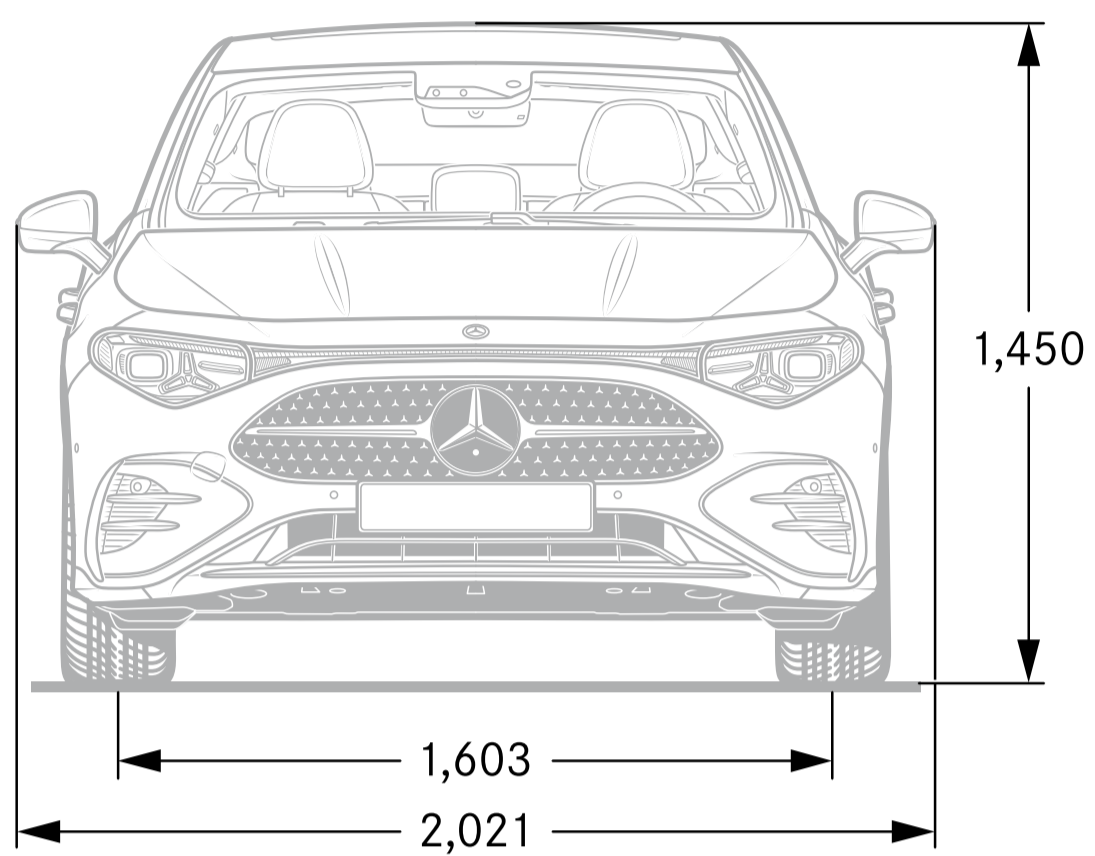
Length (mm)	4723
Total Width (mm)	1855
Height (mm)	1450
Kerb weight/payload (kg)	1,777
Closed luggage compartment capacity behind rear seat (l)	540
Turning circle (M)	11.2

2 Years Unlimited

Mileage Warranty

Dimensions

AMG





The Home for Mercedes-Benz

DIMO 800, Sirimavo Bandaranaike Mw, Colombo 14